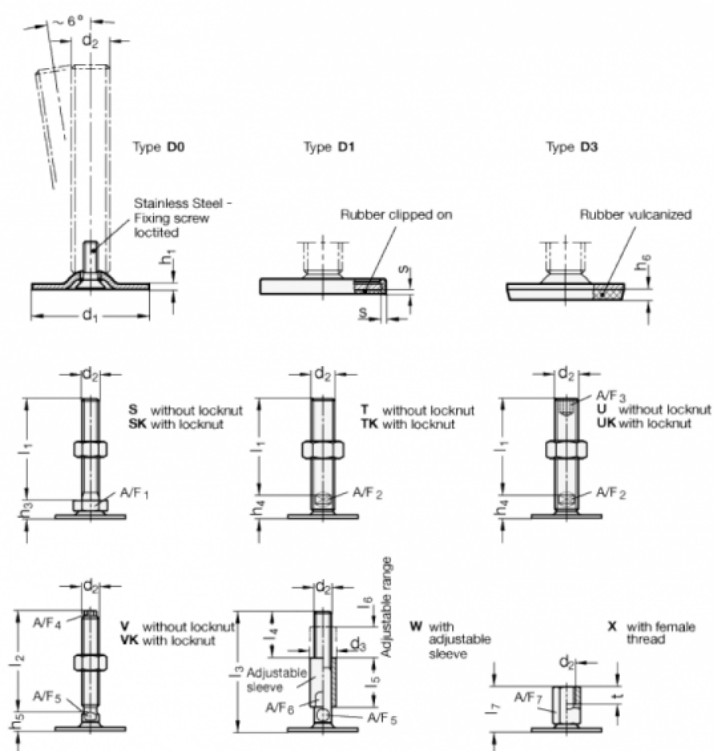


Article number: 204150M825D3X  
 Description: E+G levelling foot  
 GN 41-50-M8-25-D3-X  
 Note: X With female thread, External hexagon

## Measures



A/F7 = 14  
 d1 = 50  
 d2 = M8  
 h1 = 2.5  
 h6 = 4  
 l7 = 25  
 s =  
 t = 8